

## Support systems for use with the PR035 Image Converter

This document explains the different possibilities of attaching additional accessories (like matte box and follow focus) to a PR035 setup. We strictly recommend using any support system when shooting with the PR035 Image Converter in order to stabilize your setup and simultaneous take weight of the video camera's B4 mount, i.e. when using heavy lenses (zoom lenses etc).

There are three possible solutions, explained in the following:

- 1. 15mm light weight support (by default delivered with the PR035)**
  - > for use with normal (prime) lenses
  - > for attachment of 15 mm light weight accessories
  
- 2. 15mm light weight support (ARRI based)**
  
- 3. 19mm heavy duty support - Chrosziel based**
  - > for use with heavy lenses (i. e. zoom lenses)
  - > for attachment of 19mm movie accessories
  
- 4. 19mm heavy duty support - ARRI based**
  - > for use with heavy lenses (i. e. zoom lenses)
  - > for attachment of 19mm accessories

Support bridges to adapt from 19mm light weight support to 15mm heavy duty support are available as well:

Pos.	Article #	Description
1	19710	PR035 support bridge for 19mm to 15mm rods
2	19715	PR035 support bridge for 15mm to 15mm rods

## 1. 15 mm Lightweight Support for the PR035

The 15 mm support bridge and rods are included in the delivery. A holder for the 15 mm rods is required on the camera side. This holder is offered by both Chrosziel and ARRI and is possible to purchase directly from P+S Technik.

By default the PR035 Image Converter is delivered with a 15 mm light weight support system, including a support bridge (3) and four 15 mm rods (4) needed. It stabilizes the PR035 setup and 15 mm accessories can be attached.

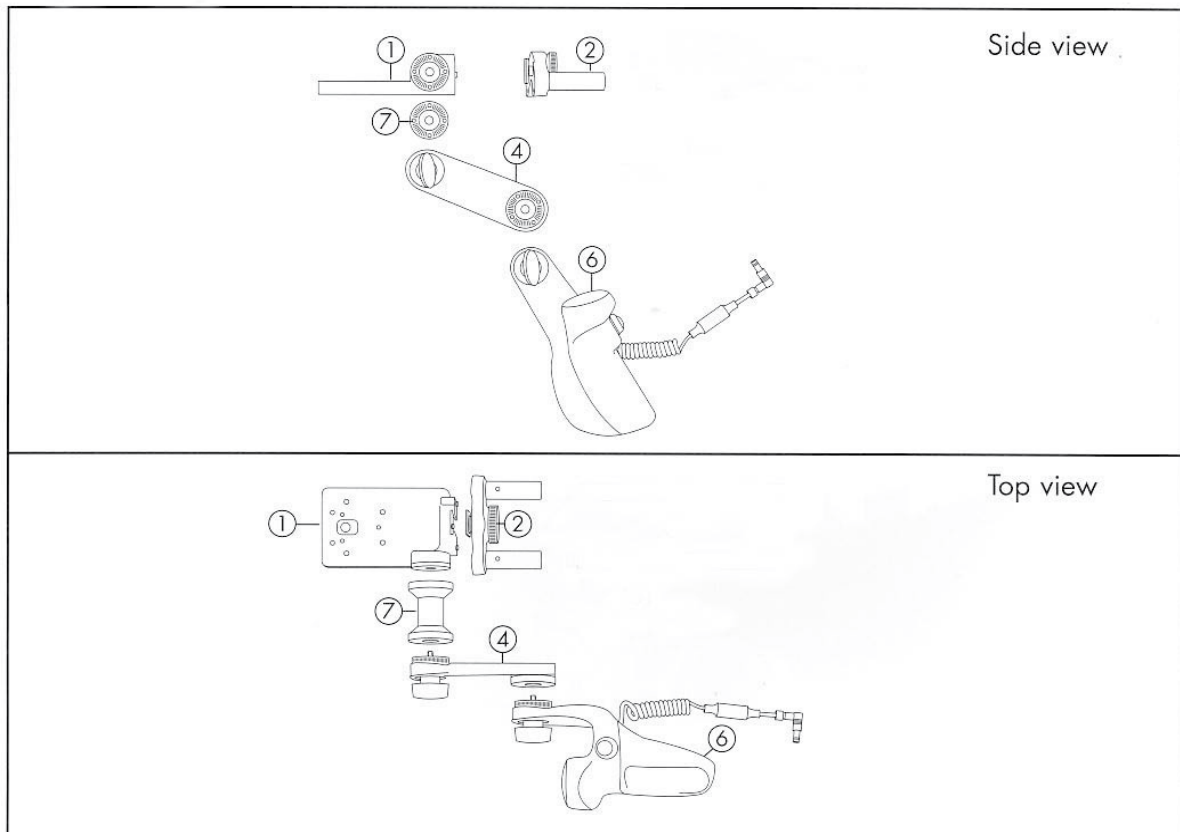
**IMPORTANT:** In order to connect the light weight support to your video camera you need a holder plate for 15mm rods on camera side, which is prepared for light weight support connection. This holder is possible to purchase directly from P+S Technik.

Setup information:

Pos	Order #	Description
1		Holder Plate from ARRI or Chrosziel. The ARRI light weight support for video cameras is based on the LWS-4. Light weight supports for Sony, Ikegami, JVC, Hitachi, Philips, Thomson available.
2		Quicklock plate (has to be compatible to your base plate (1))
3	[19004]	Support bridge (comes with the PR035)
4	[19004]	Four 15mm rods (come with the PR035): 75mm (two times) for the support of the Image converter and 240mm (two times) for additional movie accessories
5	19004	PR035 Image Converter
		All products can be ordered by P+S Technik in Munich or through our dealers

**2. Light Weight Support for the PR035 Image Converter ( ARRI based )**

The following accessories are based on the ARRI LWS-4 and ARRI lightweight adapter plates for the Sony, Panasonic and Thomson cameras and allows you to fit additional accessories, such as follow focus, mattebox .... based on the LWS 15 mm support. A special support bridge for the PR035 is included in the delivery of the Image Converter:

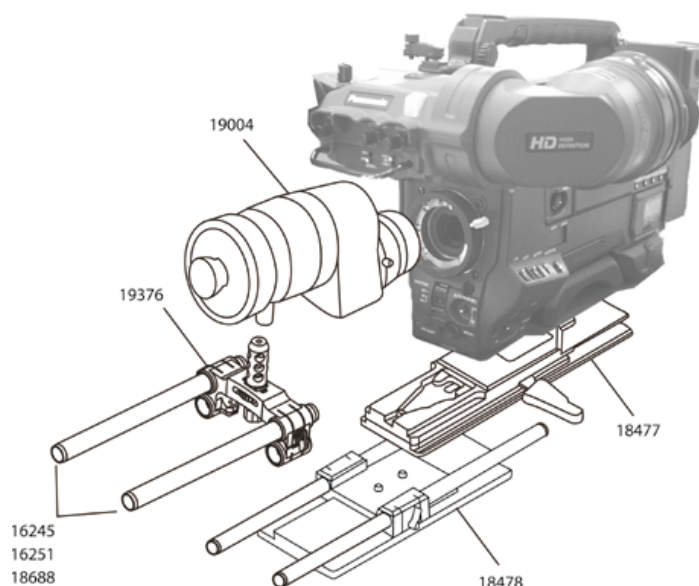


Pos.	Art. No.	Description
1	19548	Sony Light Weight Adapter SLB-2
1	19547	Panasonic Light Weight Adapter ULB-2
2	21958	Light Weight Support LWS-4; compete with 15 mm rods (97 mm and 170 mm long)
4	19590	Hand Grip Extension
6	16167	Hand Grip with ON/OFF Switch
7	19591	Hand Grip Extension

### 3. 19 mm Heavy Duty Support for the PR035 (Chrosziel based setup)

The following table and drawings describe, which articles are necessary for a Chrosziel based heavy duty support setup in order to use heavy lenses (like zoom lenses) or to connect 19 mm heavy duty based accessories to your PR035 setup.

Pos.	Order #	Description
1	18478	Bridge plate for 19 mm rods for Sony and Panasonic video cameras incl. 440 m rods (Chrosziel)
2	18477	Quicklock plate for Sony and Panasonic video cameras (Chrosziel)
3	19376	PR035 support bridge for 19 mm rods (without rods)
4	16245 16251 19545 18688 19544	Pair of spare rods for bridge plate 19 mm x 650 mm Pair of spare rods for bridge plate 19 mm x 440 mm Pair of spare rods for bridge plate 19 mm x 440 mm (carbon fibre) Pair of spare rods for bridge plate 19 mm x 240 mm Pair of spare rods for bridge plate 19 mm x 240 mm (carbon fibre)
		All products can be ordered from P+S Technik in Munich or through our local dealers



## 4. 19mm Heavy Duty Support for the PR035 (ARRI based setup)

The following table and drawings describe, which articles are necessary for an ARRI based heavy duty support setup in order to use heavy lenses (like zoom lenses) or to connect 19mm heavy duty based accessories to your PR035 setup.

Pos.	Order #	Description
1	16198	Bridge plate for S16 / N16 cameras (BP-6 compatible) incl. 19 mm rods 440 mm (or original BP-6 by ARRI)
2	19570	Sony adapter plate SAP-3 (replaces Sony quick release plate) enabling interface to BP-6 bridge plate
	18047	Panasonic adapter plate PAP-2 enabling interface to BP-6 bridge plate
	17995	Thomson adapter plate TAP-1 enabling interface to BP-6 bridge plate
3	19376	PR035 support bridge for 19 mm rods (without rods)
4	16245	Pair of spare rods for bridge plate 19 mm x 650 mm
	16251	Pair of spare rods for bridge plate 19 mm x 440 mm
	19545	Pair of spare rods for bridge plate 19 mm x 440mm (carbon fibre)
	18688	Pair of spare rods for bridge plate 19 mm x 240 mm
	19544	Pair of spare rods for bridge plate 19 mm x 240 mm (carbon fibre)
		All products can be ordered from P+S Technik in Munich or through our local dealers

